

LIGHT BOY

B8Q5S / B8Q5J

LED800W balloon, Quick stand / LED800W balloon, Jumbo stand

THE BEST BALLOON LIGHTING in the World.

Shadow-less 360 degree radiance.

800W produces 110,000 lumens.

Up to 2,000 sqm illuminated area.



QUICK STAND



JUMBO STAND

QUICK STAND

Highly portable



B8Q5S

Message Strip *option

Personalised message strips are easily attached and detached with Hook and Loop Fasteners.



STOP HERE



Stand
10kg

Balloon
11kg



Light Weight

The entire lighting system can be carried around easily in two carrying cases.

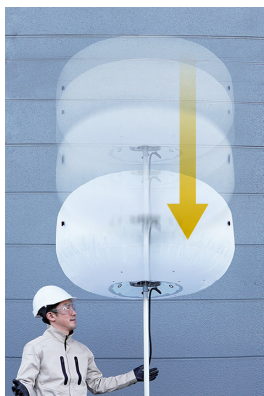


Learn more!

SAFE

Gas Shock Absorber

The mast is equipped with a gas-assist lowering system. This system allows the mast to be retracted slowly when released.



QUICK

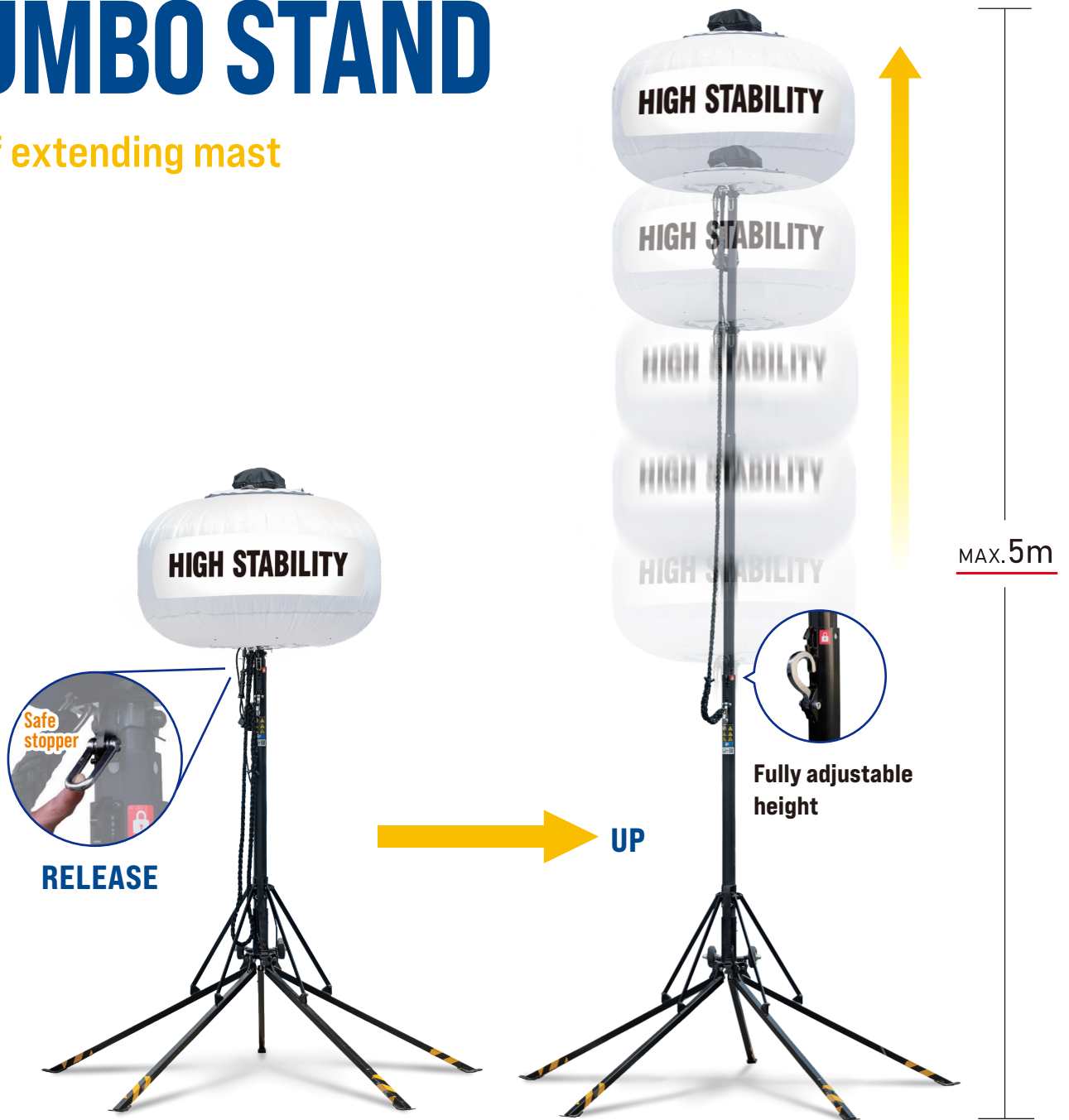
Quick Deployment Stand

The stand can be set up with one touch and adjusted to two different heights.



JUMBO STAND

Self extending mast



B8Q5J



Learn more!

EASY



Easy handling



Multiple units can be transported in a small vehicle.

What is Balloon Light?

GLARE-FREE LIGHT

A balloon light offers powerful illumination without glare. The light is diffused, softer, and has no shadows.

360-DEGREE LIGHT COVERAGE

The light from a balloon covers 360-degree surroundings providing a uniformly bright surface.

GREAT VISIBILITY

As the light source is large, it is easy to identify even from a distance. This reduces the risk of accidents for not only the field crews in a work zone, but also for passing motorists.



LIGHT BOY TECHNOLOGY

Balloon Envelope

The envelope is made of ripstop polyester. The texture is highly resistant to harsh weather conditions.

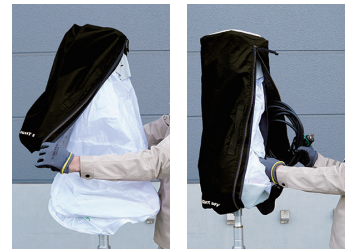
Heavy-Duty Design

LED chips are protected by a polycarbonate shield. It prevents damage and water intrusion.



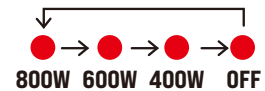
Integrated Balloon Cover

The protective cover can be folded and stored on the top of the balloon assembly during operations.



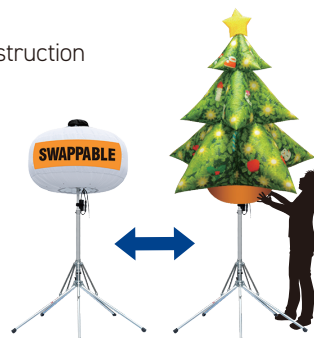
Dimming Control

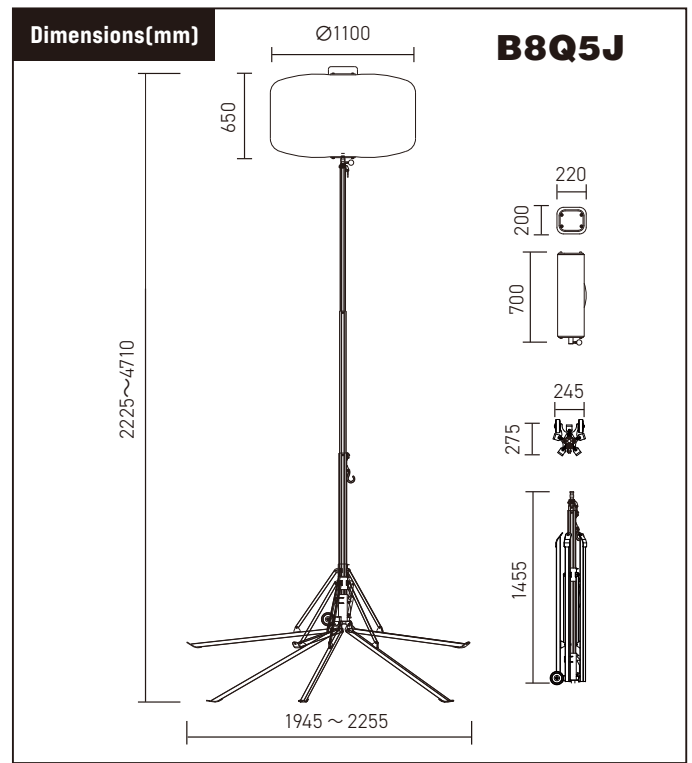
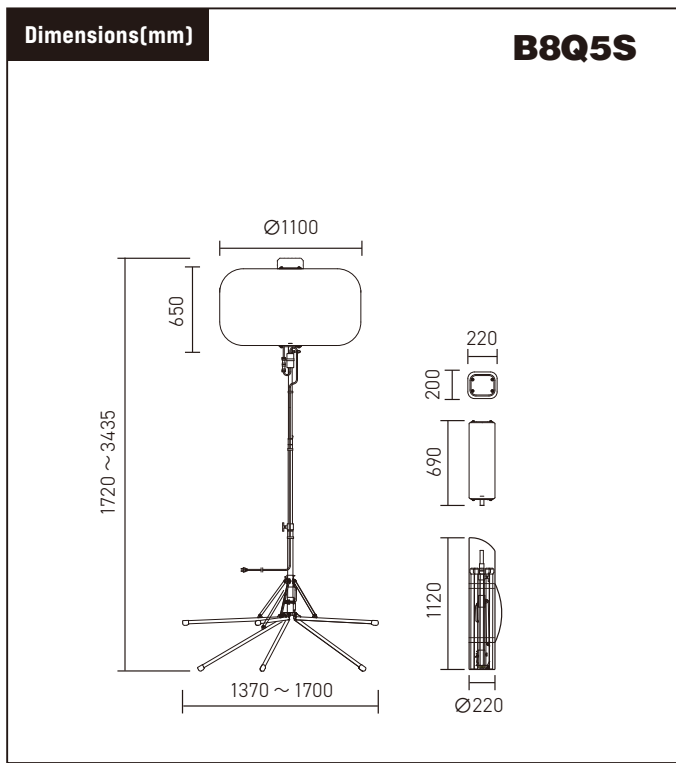
The brightness can be adjusted depending on the applications.



OPTION

Design Balloon We offer Humor and Comfort to nighttime construction

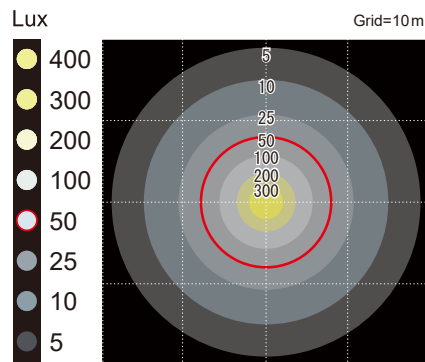
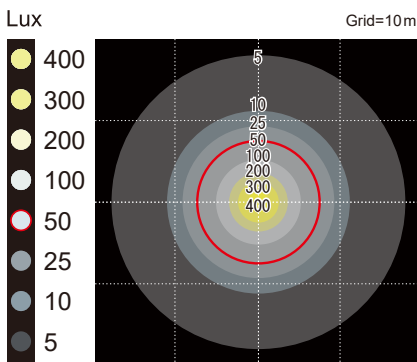




| Model | | B8Q5S-CE | |
|--------------------------|-----------------------------|---------------------------|---------------------|
| Voltage (V) | | 230 *1 | |
| Frequency (Hz) | | 50 / 60 | |
| Input Current (A) | | 3.75 (230V,800W) | |
| Lamp | Type | LED | |
| | Dimming Control | 3 Stages : 800W/600W/400W | |
| | Total Luminous Flux (lm) *2 | 110,000 (800W) | |
| | | 90,000 (600W) | |
| 67,000 (400W) | | | |
| Outside Temperature (°C) | | -10 to 40 | |
| Mast | Mast Type | Telescopic Aluminum Mast | |
| | Mast Operating | Hand Operation | |
| Dimension | 1st Level(LxWxH)(mm) | | 1615x1700x1720~3050 |
| | 2nd Level(LxWxH)(mm) | | 1370x1440x2105~3435 |
| | Storage (LxWxH)(mm) | Balloon | 220x200x690 |
| | | Pentapod | 190x190x1015 |
| Carry Case | | φ220x1120 | |
| Weight | Balloon (kg) | 10.8 | |
| | Cable (kg) | 1.4 | |
| | Mast(kg) | 2.2 | |
| | Pentapod(kg) | 8.5 | |
| | Carry Case(kg) | 0.7 | |
| | Total Weight (kg) | 23.6 | |
| | Appropriate Generator | Output 0.9kVA or more | |

| Model | | B8Q5J-CE | |
|--------------------------|-----------------------------|----------------------------------|---------------------|
| Voltage (V) | | 230 *1 | |
| Frequency (Hz) | | 50 / 60 | |
| Input Current (A) | | 3.75 (230V,800W) | |
| Lamp | Type | LED | |
| | Dimming Control | 3 Stages : 800W/600W/400W | |
| | Total Luminous Flux (lm) *2 | 110,000 (800W) | |
| | | 90,000 (600W) | |
| 67,000 (400W) | | | |
| Outside Temperature (°C) | | -10 to 40 | |
| Mast | Mast Type | Telescopic Aluminum Mast | |
| | Mast Operating | Self-rising / manual contraction | |
| Dimension | 1st Level(LxWxH)(mm) | | 2200x2255x2225~4310 |
| | 2nd Level(LxWxH)(mm) | | 1945x2005x2625~4710 |
| | Storage (LxWxH)(mm) | Balloon | 220x200x700 |
| | | Pentapod | 245x275x1455 |
| Weight | Balloon (kg) | 10.8 | |
| | Cable (kg) | 1.6 | |
| | Mast(kg) | 8.0 | |
| | Pentapod(kg) | 16.0 | |
| | Total Weight (kg) | 36.4 | |
| | Appropriate Generator | Output 0.9kVA or more | |

*1 It is possible to use a voltage range of 90-240V by changing the power plugs. *2 During the production process, LED chips vary in brightness and colour temperature.



LIGHT BOY EUROPE AB

Södra Industrigatan 3 SE-274 30 Skurup Sweden
 Phone : +46 70 864 8810
 Email : contact@light-boy.eu
 www.light-boy.eu



***Designed in Europe,
Made with Japanese Quality***